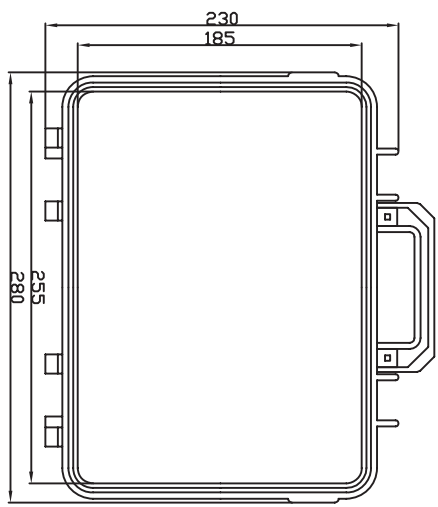
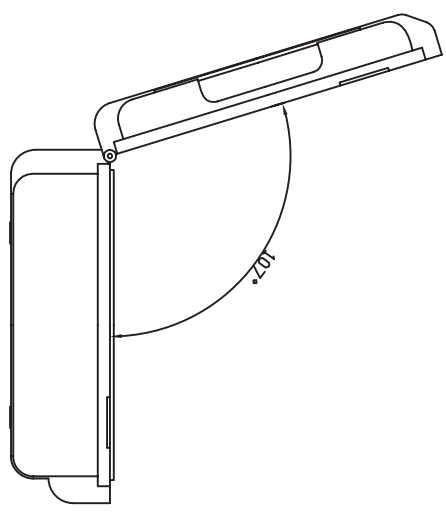
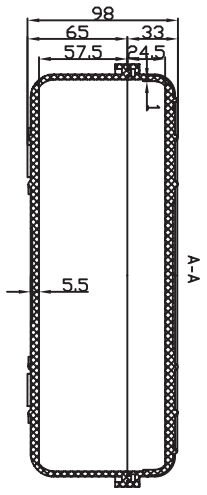
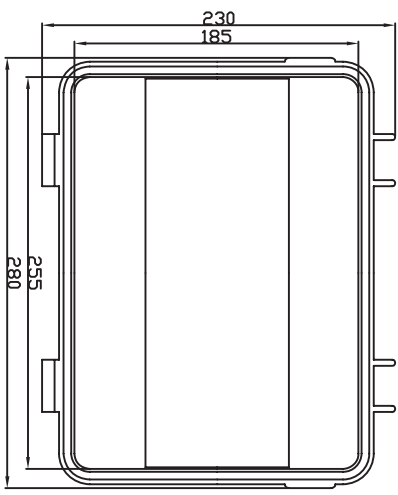
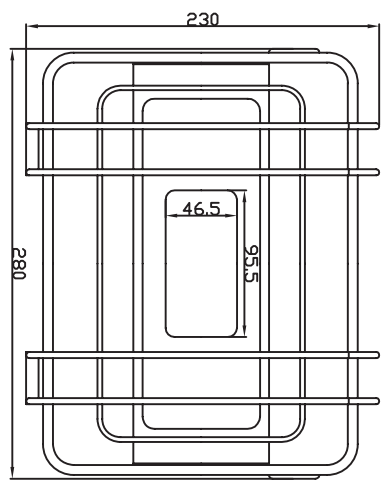
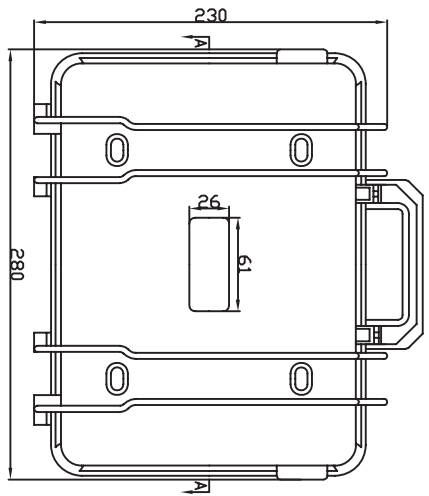


REVISION REQUIRED			
REV	ECD	DESCRIPTION	DRFT



DETACHED LISTS		DRFT	DATE
MM	INCH	CHKD	DATE
TOLERANCES EXCEPT AS NOTED			
MM		WTD	DATE
0 ± 0.3		APPL	DATE
.00 ± 0.2			
.000 ± 0.1			
ANGLES ± 5°		MATERIAL : ABS	
THIRD ANGLE PROJECTION		QTY :	
SCALE : 1:1		FINISH :	



ECD500